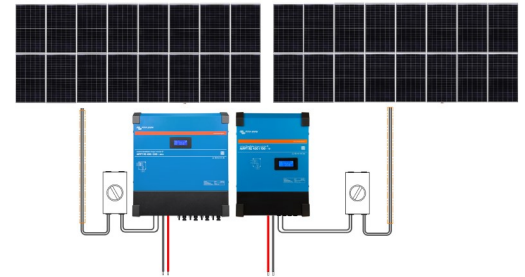


Solar Array + Solar MPPT Package

Item	Spec.	Details
Array Size:	16.0 KW	Panel Qty x Panel Wattage
Solar Panels:	32 x 500W	Trina Solar Panels (CEC [^])
MPPT:	450/100& 450/200	Victron Smartsolar MPPT
MPPT MaxW:	5700/11520	W Max MPPT O/put@48V.batt
Max PV W:	7581/15321.6	X 1.33 = Max. W @48V.batt
Array Type:	DC.Coupled	DC Coupled direct to Battery
Strings/Panels:	4 / 8	#Strings / #Panels per String
String VOC.dc:	413.6	V dc String voltage
ELV/LV Array:	LV *	NOT Self-installable *



500W Modules x 32



450/200 MPPT& x 1



RACKING:

- Racking Brackets, earth clips & lugs

- Solar cable clips & s/s cable ties

BALANCE OF SYSTEM:

- MPPT & Solar Cables with MC4's
- Solar Conduit with saddles
- Optional roof-penetration seal
- Label Kit & Install Instructions



Isolator + Extras

Item	Specification
Solar Module Power Output:	500W
Solar Module Voltage VOC	51.7V dc
Solar Module Short Circuit A:	12.28
Solar Module Dimensions:	2176 x 1098 x 35mm
Rail Length:	4.6m
Solar Racking Roof Type:	Metal/Tin Roof
Array DC Isolator:	32A / 4 Pole Rotary
Solar Cable:	4mm ² twin, Approved type
Solar Cable Connectors:	MC4

Warranties & Terms

- Solar Module Warranty: 12 Yr Product, 25 Yr Performance or per Manuf. Warranty
- Victron Equipment: 5 years standard (Extendable)
- Clenergy Racking: 25 years; Other components: See Manuf. Warranty
- System wiring and details should comply with the following Australian standards:
 - > Optional roof-penetration seal
 - > AS3000 Electrical Installations OR AS3001 Electrical Installations, Transportable
 - > AS4509 Stand-alone power systems & AS5139 Battery Installations
 - > AS5033 Installation of Photovoltaic Arrays
 - > Any other applicable standards, statutory rules or guides
- System wiring should be checked and/or installed by a qualified person, ELV wiring should be completed by a competent person. LV Electrical work, including solar arrays above 120Vdc is NOT DIY, and should be completed by a qualified electrician. Check laws in your state. Comply with safe work rules in your area, eg working at heights.
- For installations which are not compliant, ecoCool disclaims responsibility for any loss or damage, where those rules are not complied with in full and directly.

*Information accurate at time of publication, subject to change.

ecoCool Pty Ltd
4/30 Fremantle St,
Burleigh Heads Qld 4223

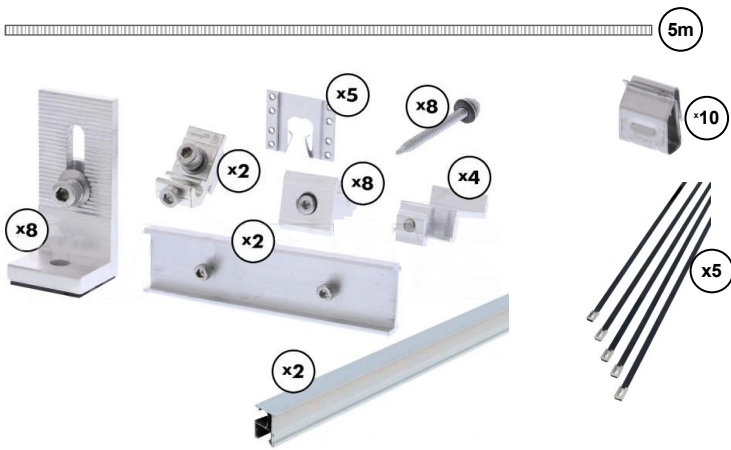
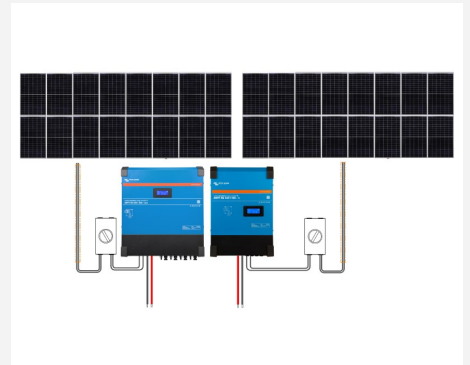
p +61 7 5525 5964
e info @ ecocool.com.au
www.ecocool.com.au





Bill of Materials PK19.16

Description	Total
Solar Modules	32
Solar MPPT Charger1	1
Solar MPPT Charger2	
MPPT-Batt Cable Set	1
Racking Kits (4 Mod.)	8
Isolators	1
Isol-MPPT Cables	1
Solar Cables (Array)	1
Label Kits	1
Conduit-5m/Solar.Cab-6m	1
Racking	
Rails 4.6m	3
Mtg Bkts & Roof Screws	12
Panel End clamps	4
Mid-clamps	12
Splices	3
Earthing lugs	2
Earthing clips	7
Solar cable clips	69
Cable ties	35
Conduit Saddles, Gal	5
Glands, Solar	10



Racking kits x 8

Extra Parts:

> buy extra racking brackets or parts as required (e.g. Roof bkts)

Optional Parts:

- > Metal Roof Sealing Boot
- > Extra solar 25mm conduit
- > Extra brackets roof mounting brackets for very windy zones

Tools you Need for installation:

- + Drill/Driver & Driver Bits
- + Grinder with cut-off wheel
- + Allen keys or Hex Driver
- + Side cutters, Pliers, screw-drivers. Tape Measure
- + Multi-Meter, Ladder/Heights gear

PK19.16